



# Nueces County Public Library

## Hotspot Lending Agreement

### Purpose

Nueces County Public Library lends mobile hotspots to help bridge the digital divide and improve access to information in the library county. Hotspots can be borrowed from the main library branch.

### What is a hotspot?

A hotspot is a mobile wireless device that provides internet access to Wi-Fi enabled devices. Nueces County Public Library's hotspots are provided through T-Mobile/Sprint and offer unlimited data.

### Eligibility

- Hotspot checkouts are limited to one device per library card.
- The library account must be in good standing.

### Borrowing and Returning

- Hotspots may be returned inside the library at the circulation desk, or in the audio-visual book drop outside the library.
- Altering or modifying the configuration of the hotspot is prohibited.

### Late, Lost, and Damaged Hotspots

- Overdue hotspots are subject to fines of \$1.00 per day.
- Hotspots three days overdue will be deactivated.
- Lost or damaged hotspots will incur a charge of \$75.00 on the borrower's account.
  - Hotspot: \$60.00
  - Case: \$15.00
  - Charging cable: \$7.00
  - Plug: \$7.00

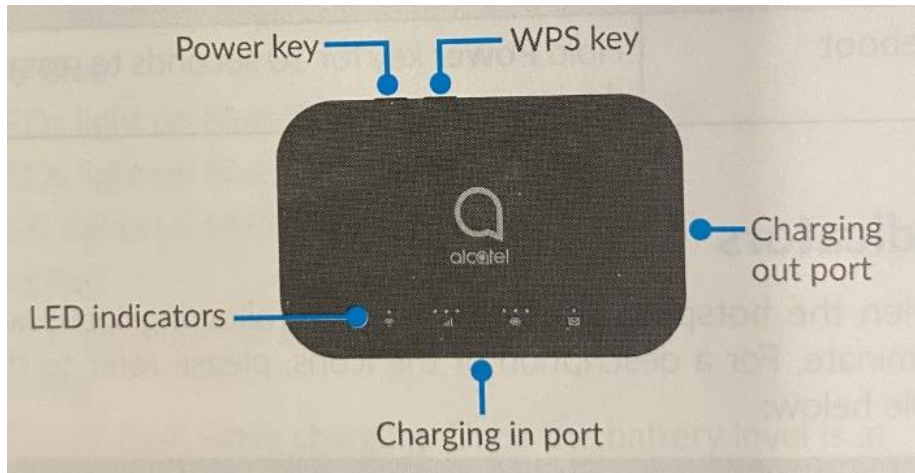
### Using the Hotspot

Hotspots provide internet access through the T-Mobile/Sprint network. To ensure maximum data speed, use the hotspot in an area with a strong T-Mobile signal. To check the signal strength in your area, go to [www.t-mobile.com/coverage/coverage-map](http://www.t-mobile.com/coverage/coverage-map) and enter your address. Please charge the hotspot before use. To turn the hotspot on/off, press and hold down the power button for a few seconds until it lights up. The network name will be **Sprint**. The password is written on the front of the hotspot.

### User Agreement

Patrons may not send, receive or display text or graphics that may reasonably be construed as obscene. Patrons may not use this device for any illegal purpose. Patrons may not in any way alter, reconfigure, or damage the hotspots. Patrons may not attempt to access unauthorized data and data belonging to others. The library is not responsible for the accuracy or content of any information found on any site. It is recommended that particular caution be exercised when obtaining financial, medical, or legal information from the internet. As with other library materials, it is the parent or legal guardian of minor children who must assume ultimate responsibility for supervising access to internet resources. By checking out and using the hotspot, the borrower agrees to abide by this agreement, and all state and federal laws.

# Hotspot User Guide



## Main display icons:

Charging in port

### LED Description

Part	Description
Power key	Hold the <b>Power</b> key for 3 seconds to power the device on/off.
WPS key	Hold the <b>WPS</b> key for 3 seconds to activate the WPS function. Once activated, the Wi-Fi LED indicator will flash every two seconds. If the network is not accessed within 2 minutes, device will automatically exit WPS mode.
LED indicators	Displays Wi-Fi, signal, battery, and SMS status.
Charging in USB Port	Use the USB Type-C port to charge your device and connect your device to the client via the USB cable.
Charging out USB port	Use the USB port to charge other devices, such as tablets and smartphones.
Reset	Press Reset key for 3 seconds to reset device. All LED indicators will flash blue 2 times to indicate that the device has been reset to factory mode.

3

Part	Description
Reboot	Hold <b>Power</b> key for 10 seconds to restart device.

### Indicators

When the hotspot is powered on, the following icons will illuminate. For a description of the icons, please refer to the table below: